

Skyline (R32) 2WD / Suspension Link & Bush

Suspension Link

No.	Part	Part no.	Code	Price with tax	Price	Qty per car	Part information
1	Tension Rod Set	54460-RS520	E	19,950	19,000	1	Left/right, one set ¹
3	Transverse Link Set	54555-RS580	E	30,450	29,000	1	Left/right, one set
5	Front Upper Link Set	54556-RS580	E	46,250	44,000	1	Left/right, one set
8	Rear A Arm Set	55550-RS580	E	31,500	30,000	1	Left/right, one set
10	Rear Upper Link Set, Front	55125-RS580	E	12,600	12,000	1	Left/right, one set
12	Rear Upper Link Set, Rear	55135-RS580	E	16,590	15,800	1	Left/right, one set
14	Rear Lower Link Set	55100-RS580	E	14,175	13,500	1	Left/right, one set, Not needed for HICAS-equipped vehicles

¹ Shape and materials are the same as for standard parts. NISMO reinforced Bush have been inserted. Color: silver with NISMO logo sticker.

Repair parts (Bush) (need pressure fitting / applicable to genuine link)

No.	Part	Part no.	Code	Price with tax	Price	Qty per car	Part information
2	Tension Rod Bush	54476-RS590	E	3,150	3,000	2	For 54460-RS520
4	Transverse Link Bush	54560-RS590	E	3,150	3,000	2	For 54555-RS580
6	Front Upper Link Bush, Body Side	54541-RS580	E	2,310	2,200	4	For 54556-RS580
7	Rear Upper Link Bush, Third Link Side	54545-RS580	E	2,310	2,200	4	
9	Rear A Arm Bush	55045-RS580	E	2,100	2,000	4	For 55550-RS580
11	Rear Upper Link Bush	55157-RS580	E	1,890	1,800	2	For 55125-RS580
13	Rear Upper Link Bush	55157-RS580	E	1,890	1,800	2	For 55135-RS580
15	Rear Lower Link Bush	55157-RS580	E	1,890	1,800	2	For 55100-RS580

Parts no. 11, 13 and 15 are common parts

Reinforced Bush

No.	Part	Part no.	Code	Price with tax	Price	Qty per car	Part information
16	Rear Axle Bush, Upper	55157-RS521	E	1,890	1,800	4	Need pressure fitting
17	Rear Axle Bush, Rear	55152-RS520	E	1,260	1,200	2	Not needed for HICAS-equipped vehicles; need pressure fitting
	Rear Suspension Mount Bush Kit	55400-RS590	E	19,950	19,000	1	Kit for one vehicle (no. 18, 19 in illustration)
20	Upper Mount Bush, Upper	56217-RS580	E	1,050	1,000	4	Front, rear common
21	Upper Mount Bush, Lower	56218-RS580	E	1,050	1,000	4	

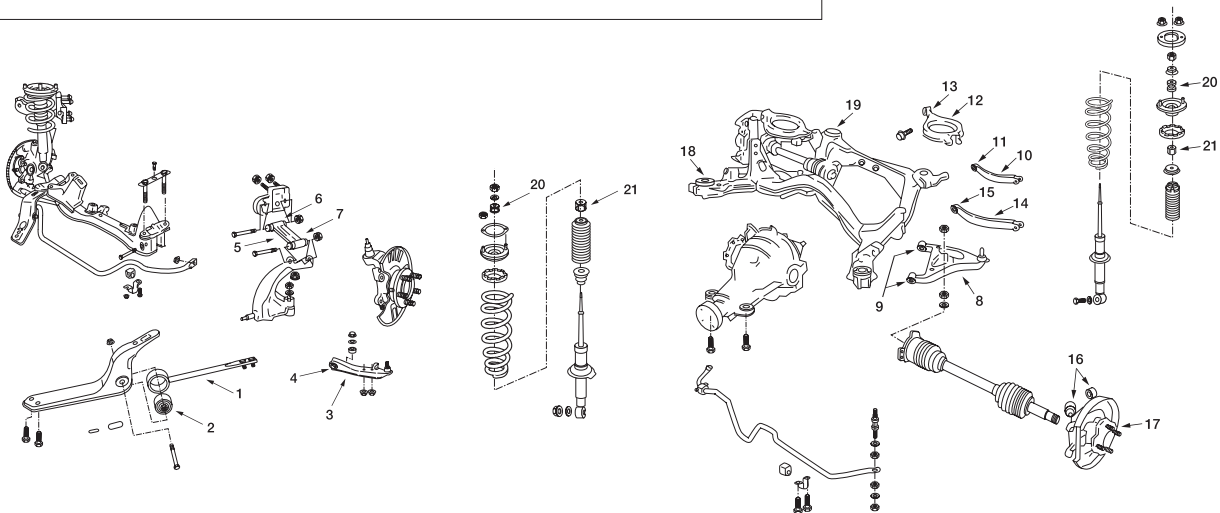
¹ All part (except No.18,19) designs and materials are the same as standard parts hardened rubber. No 16 to 19 in illustration need pressure fitting.

Repair parts (Bush) (need pressure fitting)

No.	Part	Part no.	Code	Price with tax	Price	Qty per car	Part information
18	Rear Suspension Mount Bush, Front	55440-RS520	E	5,250	5,000	2	For 55400-RS590
19	Rear Suspension Mount Bush, Rear	55442-RS520	E	5,250	5,000	2	

Product Note

- Always replace both left and right link and Bush at the same time. If only one side is replaced, the left-right balance of the suspension is lost, so even when repairing the vehicle replace both sides.
- When replacing the rear link, rear axle-side Bush (16 and 17) and suspension mount Bush (18 and 19) should all be replaced with NISMO units at the same time. Replacing only the link will not draw out the full performance potential of the suspension.



Parts no. 14 and 17 in illustration not needed on HICAS-equipped vehicles