

Skyline GT-R (BNR32) / Suspension Link & Bush

Suspension Link (Installation in HNR32, GTS-4 Possible)

No.	Part	Part no.	Code	Price with tax	Price	Qty per car	Part information
3	Tension Rod Set *1	54460-RS580	E	26,250	25,000	1	Left/right, one set; cannot be used with Circuit Link Set
5	Front Upper Link Set	54556-RS580	E	46,200	44,000	1	Left/right, one set
8	Rear A Arm Set	55550-RS580	E	31,500	30,000	1	Left/right, one set *2
10	Rear Upper Link Set, Front	55125-RS580	E	12,600	12,000	1	Left/right, one set
12	Rear Upper Link Set, Rear	55135-RS580	E	16,590	15,800	1	Left/right, one set

* Shape and materials are the same as for standard parts. NISMO reinforced Bush have been inserted. Color: silver with NISMO logo sticker.

*1 The standard brake air guide can not be installed. Because of the tension rod set (No.3) has no bracket for the installation. when installing, the clips (Genuine Nissan part 41184-24U00, four units) are required. Please purchase separately.

*2 The REAR A arm set does not come with a collar; please use the existing standard collar for installation.

Repair parts (Bush) (need pressure fitting / Applicable to genuine link)

No.	Part	Part no.	Code	Price with tax	Price	Qty per car	Part information
4	Tension Rod Bush	54476-RS580	E	6,300	6,000	2	For 54460-RS580
6	Front Upper Link Bush, Body Side	54541-RS580	E	2,310	2,200	4	For 54556-RS580
7	Front Upper Link Bush, Third Link Side	54545-RS580	E	2,310	2,200	4	
9	Rear A Arm Bush	55045-RS580	E	2,100	2,000	4	For 55550-RS580
11	Rear Upper Link Bush	55157-RS580	E	1,890	1,800	2	For 55125-RS580
13	Rear Upper Link Bush	55157-RS580	E	1,890	1,800	2	For 55135-RS580

* Parts no. 11 and 13 are common parts.

Reinforced Bush (Installation in HNR32, GTS-4 Possible)

No.	Part	Part no.	Code	Price with tax	Price	Qty per car	Part information
14	Rear Axle Bush, Upper	55157-RS580	E	1,890	1,800	4	Need pressure fitting
15	Rear Shock Absorber Bush	56219-RS580	E	4,935	4,700	2	
16	Rear Suspension Mount Bush	55442-RS580	E	5,250	5,000	4	
	Diff Mount Bush Kit	55401-RS590	E	24,150	23,000	1	Kit for one vehicle (no. 17 to 20 in illustration)
21	Upper Mount Bush, Upper	56217-RS580	E	1,050	1,000	4	Front, rear common
22	Upper Mount Bush, Lower	56218-RS580	E	1,050	1,000	4	
23	Rear Stabilizer Bush	54613-RS580	—	Dealt by Nissan	Dealt by Nissan	2	ø25.4; for Genuine stabilizer

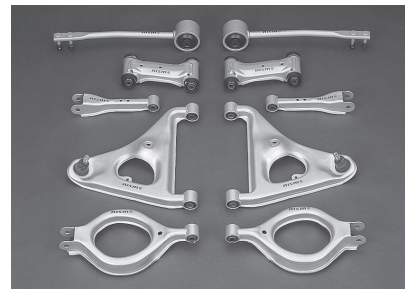
* All part designs and materials are the same as standard parts hardened rubber. No 14 to 18 in illustration need pressure fitting.

Repair parts (Bush) (need pressure fitting / Applicable to genuine link)

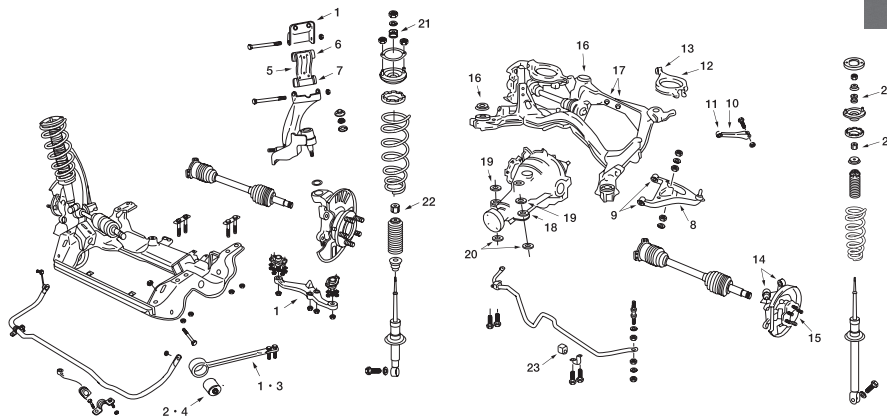
No.	Part	Part no.	Code	Price with tax	Price	Qty per car	Part information
17	Diff Mount Bush, Rear	55470-RS580	E	9,450	9,000	2	For 55401-RS590; use as set;
18	Diff Mount Bush	55476-RS580	E	1,365	1,300	2	
19	Diff Mount Stopper Bush, Upper	55474-RS580	E	840	800	2	Not needed pressure fitting for no. 19, 20
20	Diff Mount Stopper Bush, Lower	55475-RS580	E	630	600	2	

Product Note

- Always replace both left and right link and Bush at the same time. If only one side is replaced, the left-right balance of the suspension is lost, so even when repairing the vehicle replace both sides.
- When replacing the rear link, rear axle-side Bush (no. 14 and 15) and suspension mount Bush (no. 16) are recommended to replace with NISMO units at the same time. Replacing only the link will not draw out the full performance potential of the suspension.



Suspension Link
(For BNR32)



* Collar is not included with A arm