

Metal

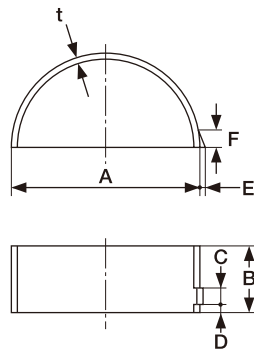
FJ Series

Part	Part no.	Code	Price with tax	Price	Qty per car	Part information	
						Bearing thickness	Color code
Con Rod Metal	12111-A9801	B	1,260	1,200	8	1.494~1.502	None
Main Bearing Outer	12215-A9801	B	1,575	1,500	4	1.830~1.840	None
Main Bearing Inner	12231-A9801	B	1,575	1,500	4	1.830~1.840	None
Main Bearing Center	12247-A9801	—	Discontinued	Discontinued	2	1.830~1.840	None

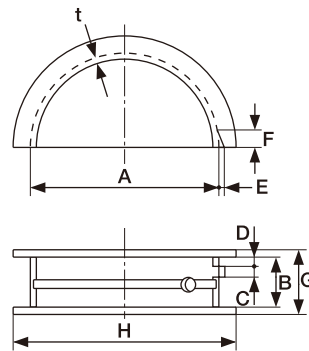
Metal specification

Compatible engine	Position	Part no.	A	B	C	D	E	F	G	H	t	Material	Part information
FJ20 type	Connecting rod	12111-A9801	53.01	22.5	4.6	0	1.4	5.6	—	—	approx.1.5	F77	Compatible with L type
	Main outer	12215-A9801	58.66	25.0	4.6	2.6	1.4	5.6	—	—	approx.1.83		Different oil groove position than L type
	Main inner	12231-A9801	58.66	23.0	4.6	2.6	1.4	5.6	—	—			
	Main center	12247-A9801	58.66	28.05	4.6	4.1	1.4	5.6	31.9	74.5			

Connecting rod bearing



Main bearing



Main bearing

