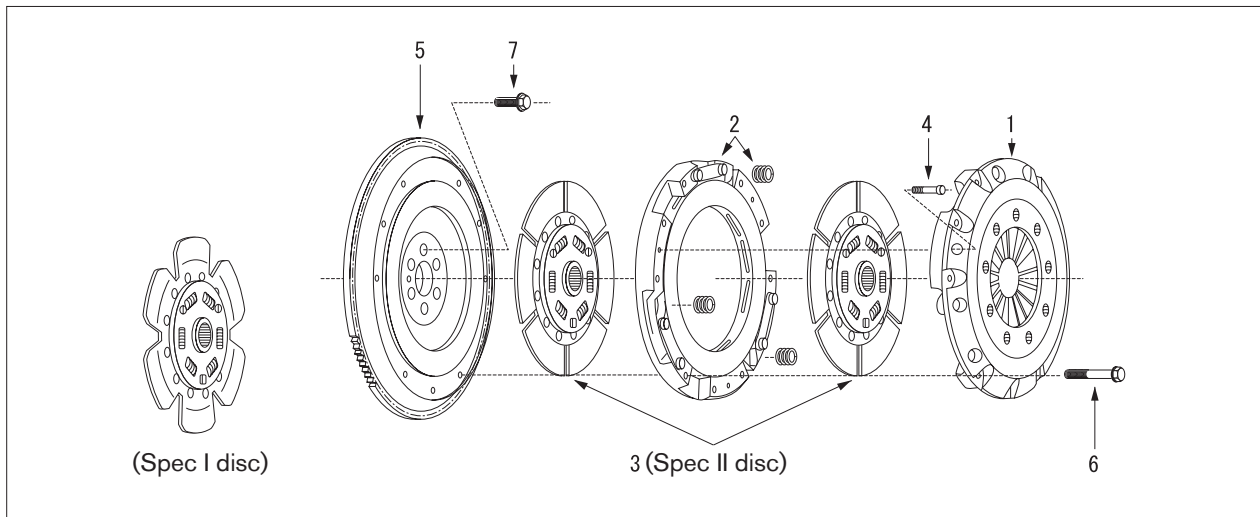


G-MAX Repair Parts

Strutt drive system (Spec I disc) (Spec II disc)

No.	Part	Part no.	Code	Price with tax	Price	Qty per car	Twin plate											
							(Spec I) Cover color: silver						(Spec II) Cover color: red					
							3002A-RS###		3002B-RS###		3002A-RS###		3002B-RS/RR###					
RS540	RSS50	RS590	RS631	RS595	RSR45	RS630	RS591	RS596	RSR46	RRR49								
1	Clutch Cover	3021A-RS050	—	Discontinued	Discontinued	1	●	●	●	●								
		3021A-RS055	—	Discontinued	Discontinued	1							●	●				
		3021B-RS060	—	Discontinued	Discontinued	1					●							
		3021B-RS061	—	Discontinued	Discontinued	1						●						
		3021B-RS065	—	Discontinued	Discontinued	1								●				
		3021B-RS066	—	Discontinued	Discontinued	1									●	●		
2	Center Plate Set	30125-RS020	—	Discontinued	Discontinued	1	●	●	●	●	●	●	●	●	●	●		
3	Clutch Disc	3010C-RS040	A	26,250	25,000	2	●	●	●	●	●	●						
		3010C-RS045	A	28,350	27,000	2							●	●	●	●		
		3010C-RR050	—	Discontinued	Discontinued	2										●		
4	M6 Cap Bolts	30131-RS020	A	420	400	3	●	●	●	●	●	●	●	●	●	●		
5	Flywheel	1231C-RS540	—	Discontinued	Discontinued	1	●											
		1231C-RS590	—	Discontinued	Discontinued	1			●		●		●	●				
		1231C-RS630	—	Discontinued	Discontinued	1						●						
		1231C-RS631	—	Discontinued	Discontinued	1				●								
		1231C-RSR45	—	Discontinued	Discontinued	1						●			●	●		
		1231C-RSS50	—	Discontinued	Discontinued	1			●									
6	M8 Hex Bolts	30132-RS020	A	315	300	9	●	●	●	●	●	●	●	●	●	●		
7	Flywheel Bolts	12315-52F00	—	Genuine Nissan part	Genuine Nissan part	8		●		●			●					
		12315-RS540	A	147	140	8	●											
		12315-42L11	—	Genuine Nissan part	Genuine Nissan part	6			●		●	●	●	●	●	●		
	Clutch Sleeve	30501-0H600	—	Genuine Nissan part	Genuine Nissan part	1	●											
	Release Bearing	30502-45P00	—	Genuine Nissan part	Genuine Nissan part	1	●	●										
		30502-69F10	—	Genuine Nissan part	Genuine Nissan part	1				●			●					
		30502-21000	—	Genuine Nissan part	Genuine Nissan part	1			●				●					
		30502-12U00	—	Genuine Nissan part	Genuine Nissan part	1					●	●		●	●	●		

Exploded diagram, twin plate



• Diagram is for 3002A-RS591. Other parts will vary slightly.