

MK-63 Caliper

MK-63 caliper, solid disk use (S30, GC10, GC110 Rally & Race)

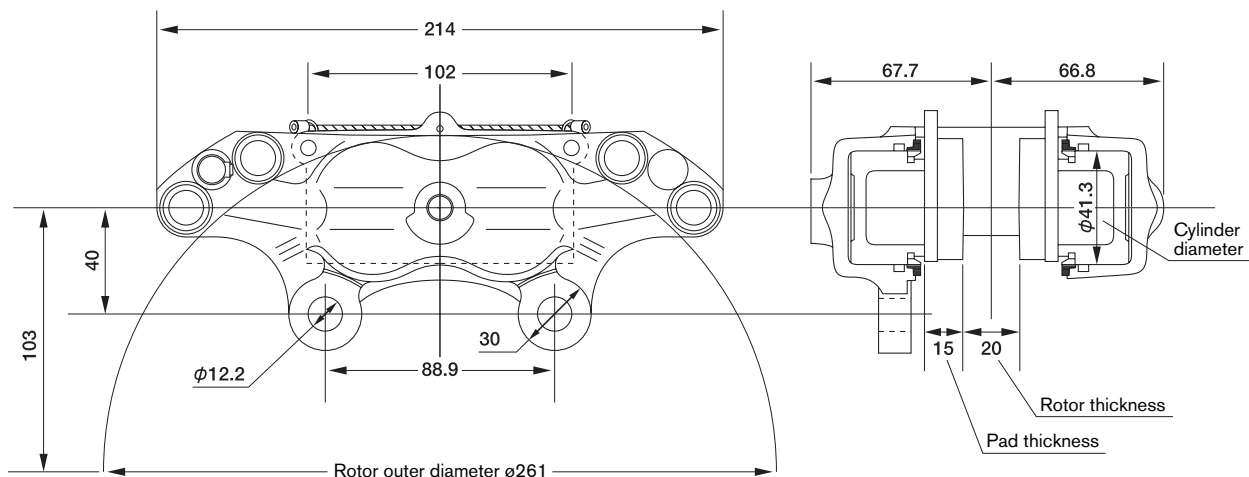
Part	Part no.	Code	Price with tax	Price	Qty per car	Part information	
Right Front Caliper	41001-RR610	G	Discontinued	Discontinued	1	Caliper only; no pads attach to Genuine hub and rotor	
Left Front Caliper	41011-RR610	G	Discontinued	Discontinued	1		
Caliper Attachment Bolt	41250-RR610	G	Discontinued	Discontinued	4	M12×1.25×31.5	
Front Brake Hose	46201-H7200	—	—	—	2	Genuine Nissan parts	
Front Brake Hose Gasket	46237-A4600	—	—	—	6		
Brake Hose Connector Bolt	41128-G0310	—	—	—	2		M10×1.0×23.5
Brake Hose Connector	41130-B0700	—	—	—	2		

MK-63 caliper, bench-rated disk use (S30 Race, second-generation specs)

Part	Part no.	Code	Price with tax	Price	Qty per car	Part information	
Right Front Caliper	41001-A1281	G	Discontinued	Discontinued	1	Caliper only; no pads attach to Genuine hub and rotor	
Left Front Caliper	41011-A1281	G	Discontinued	Discontinued	1		
Caliper Attachment Bolt	41250-RR610	G	Discontinued	Discontinued	4	M12×1.25×31.5	
Front Brake Hose	46201-H7200	—	—	—	2	L=330 (Genuine=260)	
Front Gasket	46237-A4600	—	—	—	6	Genuine Nissan parts	
Brake Hose Union Bolt	41128-F1800	—	—	—	2		M10×1.0×26.5
Brake Hose Union	41205-F1800	—	—	—	1		
	41215-F1800	—	—	—	1		

MK-63 caliper, bench-rated disk use (B310 TS Race)

Part	Part no.	Code	Price with tax	Price	Qty per car	Part information	
Right Front Caliper	41001-A1281	G	Discontinued	Discontinued	1	Caliper only; no pads Exchange hub for Genuine 40202-A0127 Caliper machining required	
Left Front Caliper	41011-A1281	G	Discontinued	Discontinued	1		
Front Hub	40202-A0127	—	—	—	2	Genuine Nissan part 810	
Caliper Attachment Bolt	41250-RR610	G	Discontinued	Discontinued	4	M12×1.25×31.5	
Front Brake Gasket	46237-A4600	—	—	—	6	Genuine Nissan parts	
Brake Hose Union Bolt	41128-F1800	—	—	—	2		M10×1.0×26.5
Brake Hose Union	41205-F1800	—	—	—	1		
	41215-F1800	—	—	—	1		
Rotor Bolt	01111-00312	—	—	—	8	HB310 GX Genuine	



MK-63 Caliper Overhaul Parts

Part	Part no.	Code	Price	Qty per car	Part information
Piston Seal Kit, Disc Brake	41120-68225	—	—	1	Genuine Nissan repair parts
Ring, Retainer	41135-68200	—	—	8	
Shim, Disc Brake Pad Inner	41084-F2001	—	—	2	
Shim, Disc Brake Pad Outer	41085-F2001	—	—	2	